



**Carbonbike-USA**

Christopher W. Peterson: toph@carbonbike-usa.com

Ken Bastine: ken@carbonbike-usa.com

Stephane Massard: stephane@carbonbikeusa.com

Chris Peterson: chris@carbonbike-usa.com

Customer Name:

Street:

City:

State:

Zip:

email:

phone #:

Country:

**Carbonbike-USA**

4565 44th Street No #4007 Pinellas Park, FL 33781

Phone: 727-483-8904

Fax: 727-592-1467

**R-1 RACING CHAIR**

Effective 3-15-23 Price in USD

**COMPLETE ALUMINUM CHAIR WITHOUT WHEELS**

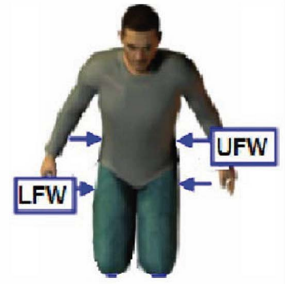
<b>"U" CAGE ALUMINUM RACING CHAIR</b>	<b>Quantity</b>	<b>Price</b>	<b>Total</b>
<i>Includes: Aluminum top and sub-frame, Carbon fiber fork/steering, Brake, Fabric sling, Flag Holder, Welded inserts for knee ratchet straps and CAD drawing</i>		4150	
<b>OPEN "V" CAGE ALUMINUM RACING CHAIR</b>		4150	
<i>Includes: Aluminum top and sub-frame, Carbon fiber fork/steering, Brake, Fabric sling, Flag Holder &amp; CAD drawing</i>			
<b>FRAME OPTIONS</b>			
<b>EXTRA WELDED STRAP HOOKS: 1 PAIR: indicate location(s) on measure form</b>		55	
<b>EXTRA INSERTS FOR RATCHET STRAPS: 1 PAIR (indicate location(s) on form</b> <i>Ratchet straps not included: see below</i>		55	
<b>ALUMINUM WELDED BACK</b>		160	
<b>ALUMINUM SOLID SEAT</b>		80	
<b>3" CUT OUT AXLE</b>		350	
<b>FRAME COLOR</b>			
<b>NO PAINT</b>		NC	
<b>FLAT BLACK</b>		NC	
<b>RED</b>		110	
<b>CUSTOM COLOR: indicate color: _____ RAL# _____</b>		350	
		<i>Adds 2-4 weeks</i>	
<b>OPTIONS/SPARE PARTS</b>			
<b>AERO BRAKE LEVER IN CENTER OF STEERING</b>		80	
<b>SEAT CUSHION</b>		80	
<b>ALIGNMENT GAUGE</b>		190	
<b>SPARE COMPENSATOR SPRING</b>		185	
<b>RATCHET STRAP: SM</b>		80	
<b>RATCHET STRAP: MED</b>		80	
<b>FRONT WHEEL &amp; REAR WHEELS</b>			
<b>ALUMINUM RIM, SPOKED 20"</b>		300	
<b>CARBONBIKE-USA CARBON FIBER 20" UPGRADE</b>		525	
<b>700C SPOKE ALUMINUM WHEELS/TIRE COATED HANDRIMS</b>		630	
<b>700C CORIMA CARBON FIBER DISCS/TIRE COATED HANDRIMS</b>		2500	
<b>700C CORIMA 4 SPOKE/TIRE COATED HANDRIMS</b>		2500	
<b>Special Instructions noted on measurement form: For Quote</b>	<b>Total</b>		

# U-CAGE

Customer/Dealer: \_\_\_\_\_

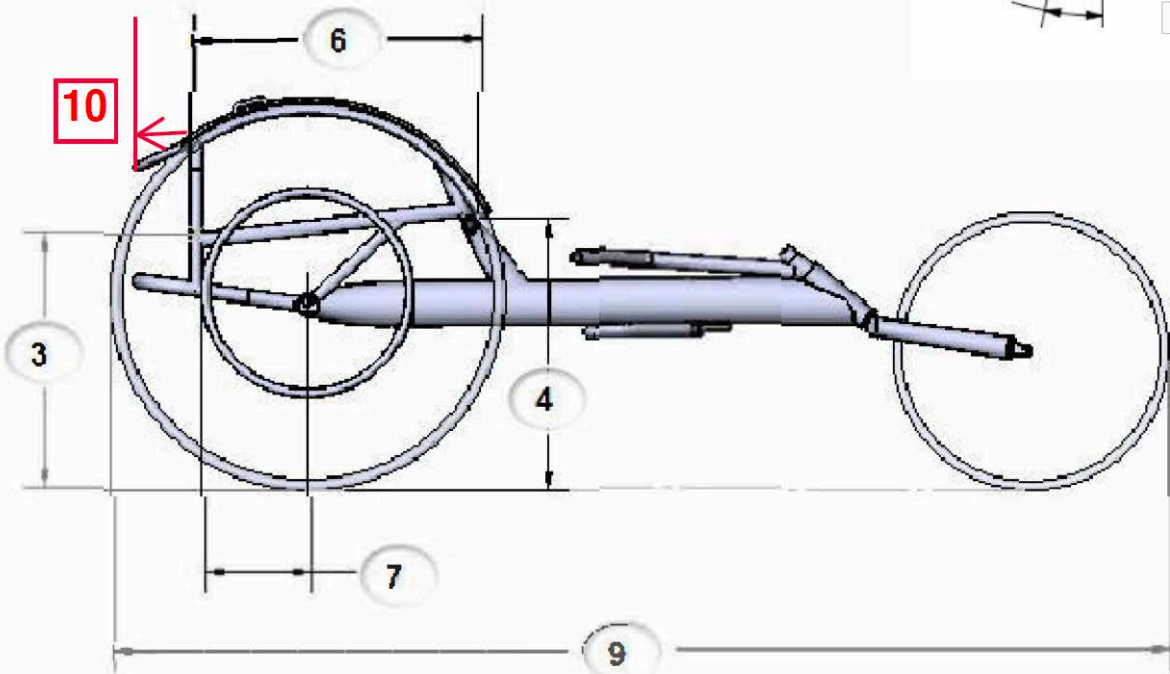
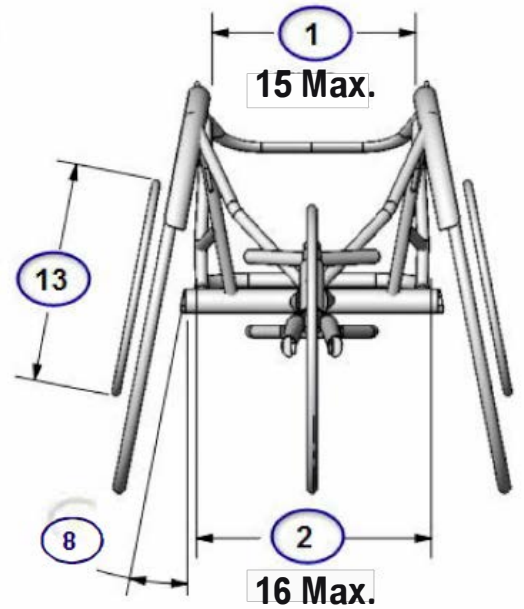
Date: \_\_\_\_\_

1. Upper Frame Width (UFW): \_\_\_\_\_
2. Lower Frame Width (LFW): \_\_\_\_\_
3. Rear Seat Height: \_\_\_\_\_
4. Kneel Height: \_\_\_\_\_
5. Knee Width: \_\_\_\_\_
6. Knee Depth(18"std.): \_\_\_\_\_
7. Axle Position: 5" \_\_\_ 6" \_\_\_ 7" \_\_\_ 8" \_\_\_
8. Camber: 11 \_\_\_ 12 \_\_\_ 13 \_\_\_
9. Overall Length: 68" \_\_\_ 70" \_\_\_ 72" \_\_\_ 74" \_\_\_
10. Rear of Backrest to Front of Crossbar:  
2" \_\_\_ 3"(Std.) \_\_\_ 4" \_\_\_



REAR WHEELS: Corima \_\_\_ Spoked \_\_\_

13. Push Rims: 13 \_\_\_ 13.5 \_\_\_ 14 \_\_\_ 14.5 \_\_\_ 15 \_\_\_ 15.5 \_\_\_ 16 \_\_\_



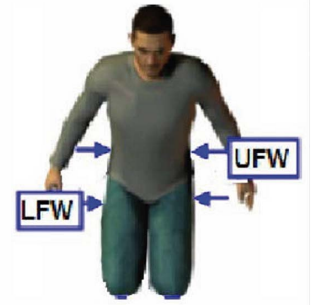
Notes: \_\_\_\_\_

# V-CAGE

Customer/Dealer: \_\_\_\_\_

Date: \_\_\_\_\_

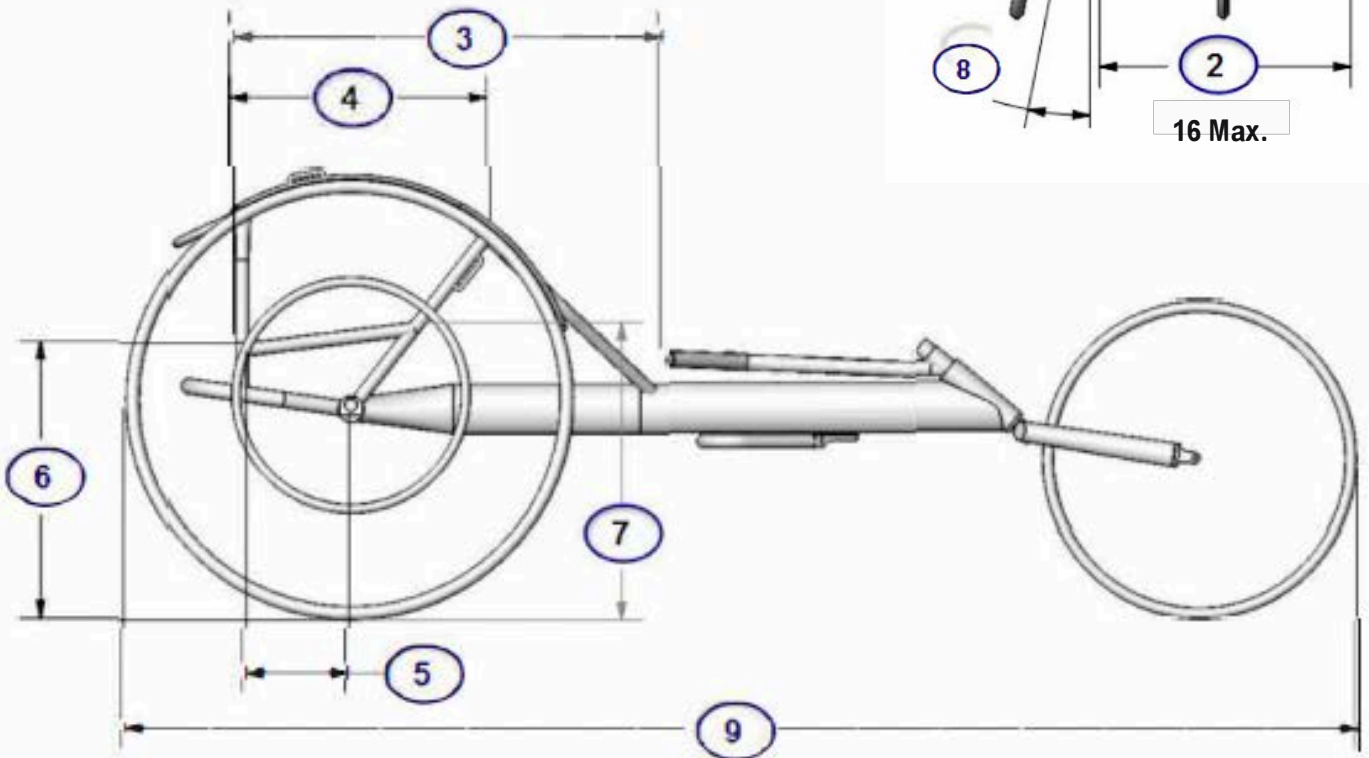
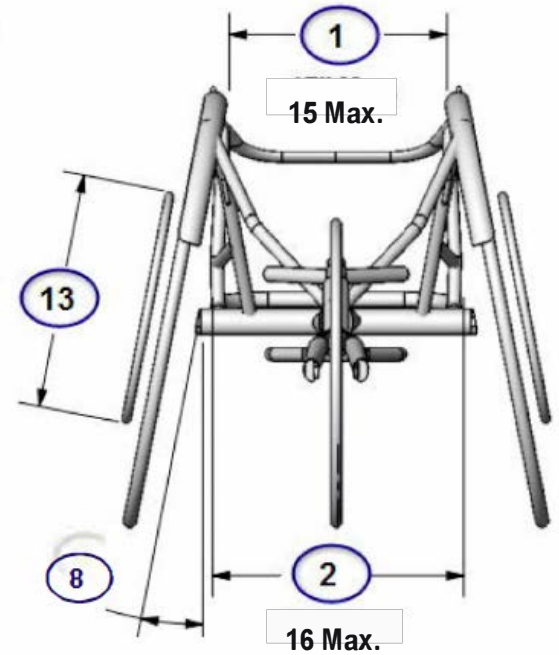
1. Upper Frame Width (UFW): \_\_\_\_\_
2. Lower Frame Width (LFW): \_\_\_\_\_
3. V Depth: 25" \_\_\_\_\_ 26" \_\_\_\_\_
4. Cage Depth (15" std.) \_\_\_\_\_
5. Axle Position: 5" \_\_\_\_\_ 6" \_\_\_\_\_ 7" \_\_\_\_\_ 8" \_\_\_\_\_
6. Rear Seat Height: \_\_\_\_\_
7. Front Seat Height: \_\_\_\_\_
8. Camber: 11 \_\_\_\_\_ 12 \_\_\_\_\_ 13 \_\_\_\_\_
9. Overall Length: 68" \_\_\_\_\_ 70" \_\_\_\_\_ 72" \_\_\_\_\_ 74" \_\_\_\_\_



REAR WHEELS: Corima \_\_\_ Spoked \_\_\_

13. Push Rims:

13 \_\_\_ 13.5 \_\_\_ 14 \_\_\_ 14.5 \_\_\_ 15" \_\_\_ 15.5 \_\_\_ 16 \_\_\_



Notes: \_\_\_\_\_