



Carbonbike-USA

Chris Peterson: chris@carbonbike-usa.com
 Christopher W. Peterson: toph@carbonbike-usa.com
 Ken Bastine: ken@carbonbike-usa.com
 Stephane Massard: stephane@carbonbike-usa.com

Customer Name:

Street:

City:

State:

Zip:

email:

phone #:

Country:

Carbonbike-USA

4565 44th Street No #4007 Pinellas Park, FL 33781
 Phone: 727-483-8904
 Fax: 727-592-1467

R-1

Effective 1-1-23 Price in USD

COMPLETE ALUMINUM CHAIR WITHOUT WHEELS

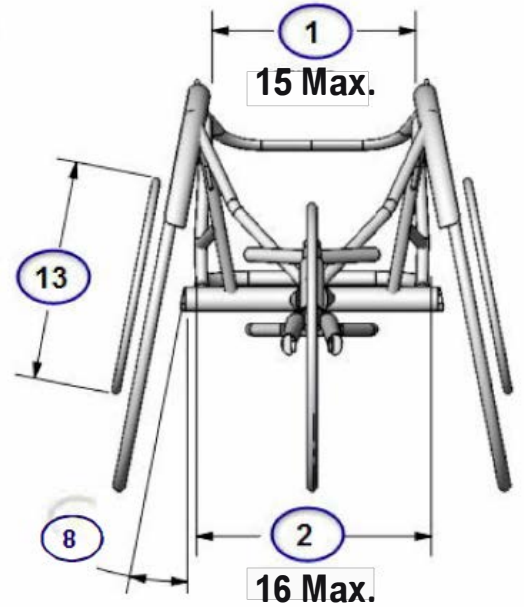
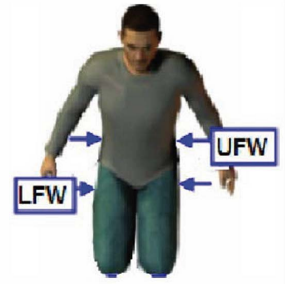
"U" CAGE ALUMINUM RACING CHAIR	Quantity	Price	Total
<i>Includes: Aluminum top and sub-frame, Carbon fiber fork/steering, Brake, Fabric sling, Flag Holder, Welded inserts for knee ratchet straps and CAD drawing</i>		3950	
OPEN "V" CAGE ALUMINUM RACING CHAIR		3950	
<i>Includes: Aluminum top and sub-frame, Carbon fiber fork/steering, Brake, Fabric sling, Flag Holder & CAD drawing</i>			
FRAME OPTIONS			
EXTRA WELDED STRAP HOOKS: 1 PAIR: <i>indicate location(s) on measure form</i>		50	
EXTRA INSERTS FOR RATCHET STRAPS: 1 PAIR (<i>indicate location(s) on form</i>) <i>Ratchet straps not included: see below</i>		50	
ALUMINUM WELDED BACK		150	
ALUMINUM SOLID SEAT		75	
3" CUT OUT AXLE		350	
FRAME COLOR			
NO PAINT		NC	
FLAT BLACK		NC	
RED		100	
GUNMETAL		100	
CUSTOM COLOR: <i>indicate color and RAL#</i> _____ <i>Adds 2-4 weeks</i>		350	
OPTIONS/SPARE PARTS			
AERO BRAKE LEVER IN CENTER OF STEERING		75	
SEAT CUSHION		75	
ALIGNMENT GAUGE		180	
SPARE COMPENSATOR SPRING		175	
RATCHET STRAP: SM		75	
RATCHET STRAP: MED		75	
FRONT WHEEL & REAR WHEELS			
ALUMINUM RIM, SPOKED 20"		250	
CARBONBIKE-USA CARBON FIBER 20" UPGRADE		500	
700C SPOKE ALUMINUM WHEELS/TIRE COATED HANDRIMS		600	
700C CORIMA CARBON FIBER DISCS/TIRE COATED HANDRIMS		2500	
700C CORIMA 4 SPOKE/TIRE COATED HANDRIMS		2500	
Special Instructions noted on measurement form: Quote	Total		

U-CAGE

Customer/Dealer: _____

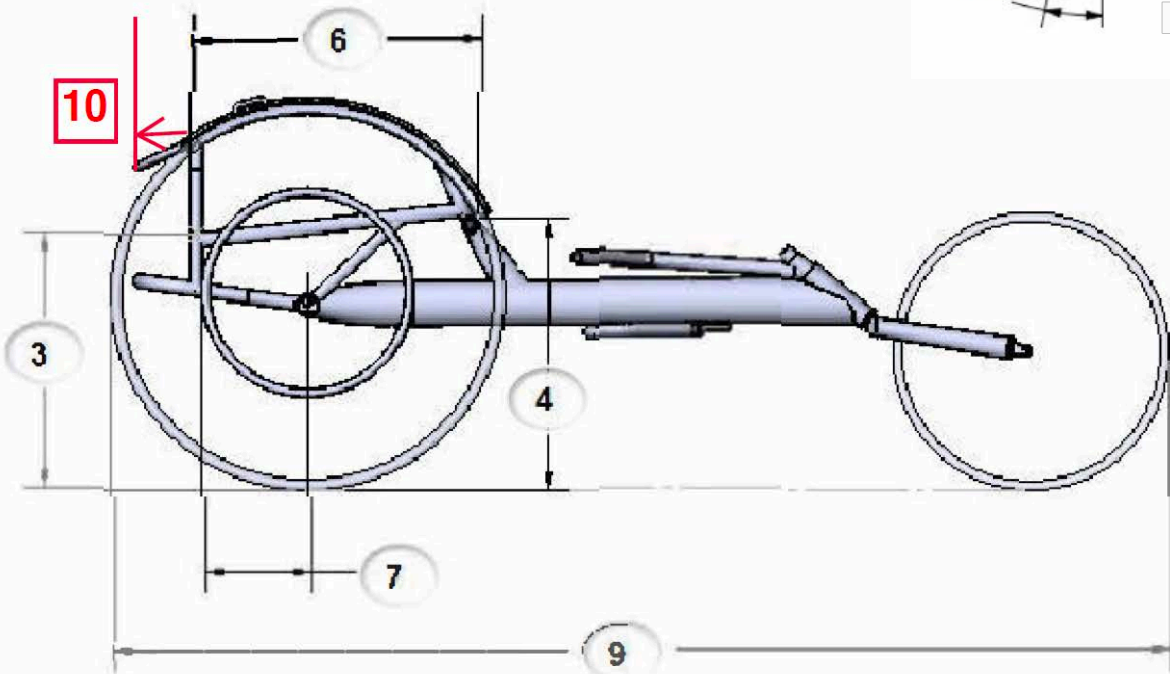
Date: _____

1. Upper Frame Width (UFW): _____
2. Lower Frame Width (LFW): _____
3. Rear Seat Height: _____
4. Kneel Height: _____
5. Knee Width: _____
6. Knee Depth(18"std.): _____
7. Axle Position: 5" ___ 6" ___ 7" ___ 8" ___
8. Camber: 11 ___ 12 ___ 13 ___
9. Overall Length: 68" ___ 70" ___ 72" ___ 74" ___
10. Rear of Backrest to Front of Crossbar:
2" ___ 3"(Std.) ___ 4" ___



REAR WHEELS: Corima ___ Spoked ___

13. Push Rims: 13 ___ 13.5 ___ 14 ___ 14.5 ___ 15 ___ 15.5 ___ 16 ___



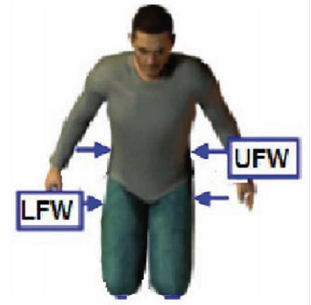
Notes: _____

V-CAGE

Customer/Dealer: _____

Date: _____

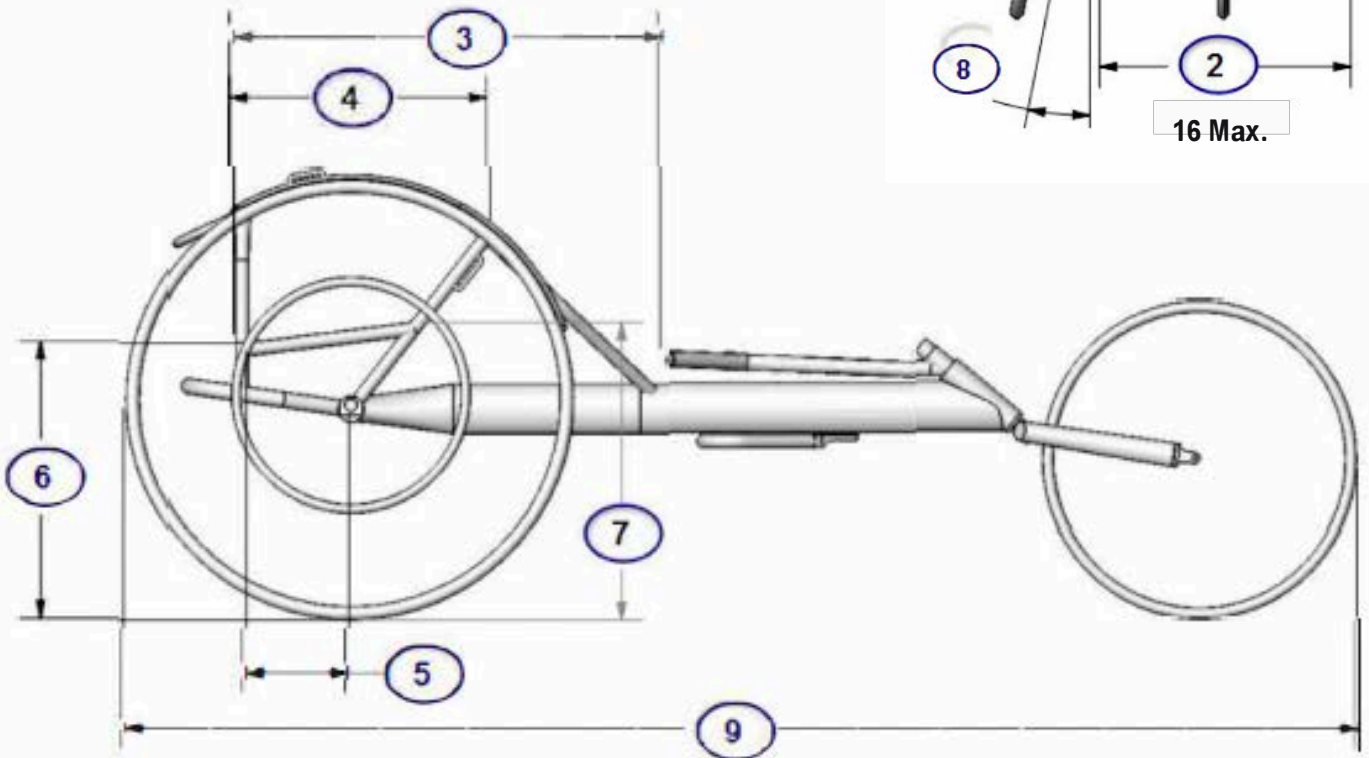
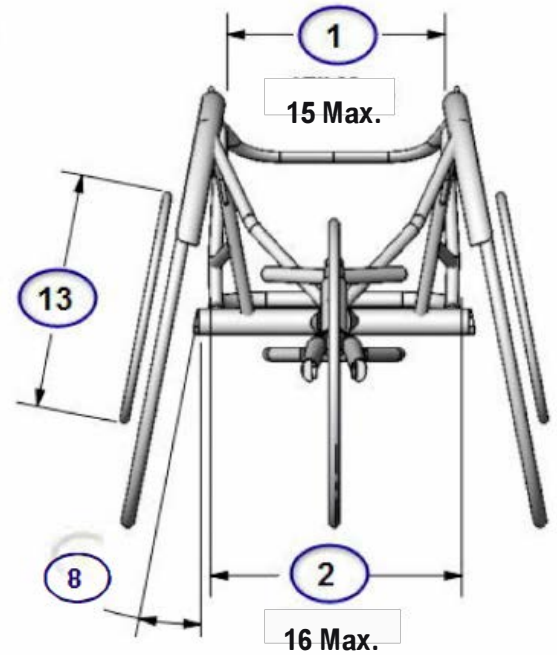
1. Upper Frame Width (UFW): _____
2. Lower Frame Width (LFW): _____
3. V Depth: 25" _____ 26" _____
4. Cage Depth (15" std.) _____
5. Axle Position: 5" _____ 6" _____ 7" _____ 8" _____
6. Rear Seat Height: _____
7. Front Seat Height: _____
8. Camber: 11 _____ 12 _____ 13 _____
9. Overall Length: 68" _____ 70" _____ 72" _____ 74" _____



REAR WHEELS: Corima ___ Spoked ___

13. Push Rims:

13 ___ 13.5 ___ 14 ___ 14.5 ___ 15" ___ 15.5 ___ 16 ___



Notes: _____