



Carbonbike-USA

Chris Peterson
 chris@carbonbike-usa.com
 STEPHANE MASSARD
 steph@carbonbike-usa.com

Customer name:

street:

City:

State:

Zip:

Country:

email:

phone #:

Carbonbike-USA
 6585 HAINES ROAD
 ST PETERSBURG, FL. 33702
 ph (440) 315-8503

R-1

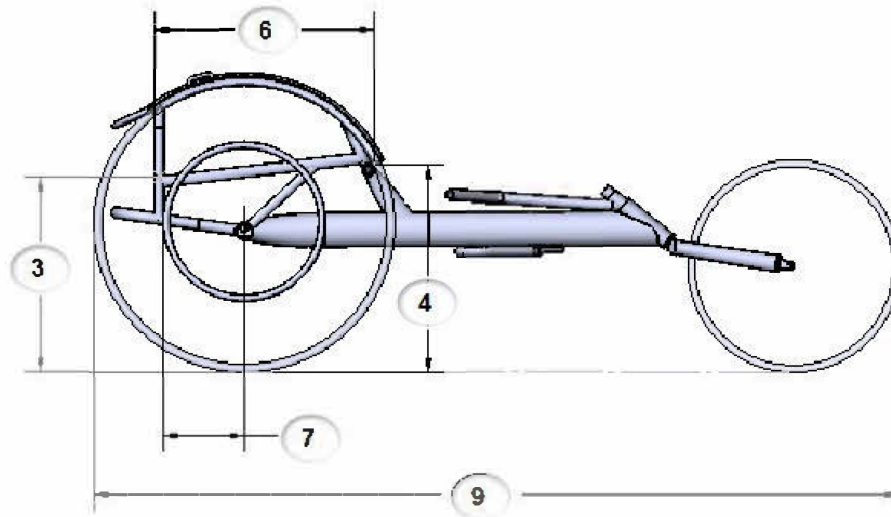
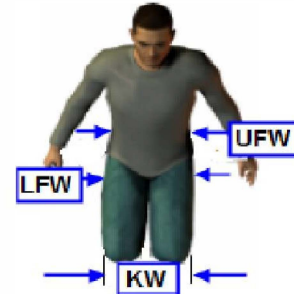
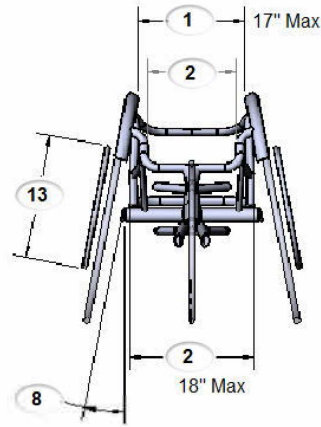
Price in USD

FRAME TYPE WITHOUT WHEELS	Quantity	Price	Total
OPEN "V" CAGE RACING CHAIR & COMPUTER AIDED DRAWING		3,600	
"U" CAGE RACING CHAIR & COMPUTER AIDED DRAWING		3,600	
CARBON FIBER FORK		N/C	
3" CUT OUT AXLE		350	
WELDED INSERT FOR CLICK STRAPS (PAIR)		50	
EXTRA STRAP HOOKS (PAIR)		50	
SEAT OPTIONS			
FABRIC SLING		N/C	
ALUMINUM SOLID SEAT		75	
ALUMINUM WELDED BACK		100	
FRAME COLOR			
NO PAINT		N/C	
FLAT BLACK		N/C	
CUSTOM FRAME COLOR		200	
CUSTOM STEERING / FORK COLOR		100	
STEERING TRACK CONTROL			
BOTTOM MOUNT		N/C	
CARBON FIBER STEERING		150	
CUSTOM STEERING		100	
AERO BRAKE LEVER IN CENTER OF STEERING		75	
FRONT WHEEL			
ALUMINUM RIM, SPOKED 20"		100	
CARBONBIKE-USA CARBON FIBER 20" UPGRADE		500	
REAR WHEELS			
700C 28 SPOKE ALUMINUM WHEEL WITH HAND RIM		300	
700C CORIMA CARBON FIBER 4 SPOKE WITH HAND RIM UPGRADE		2,500	
700C CORIMA CARBON FIBER DISC WHEELS WITH HAND RIMS UPGRADE		2,500	
OPTIONS			
WELDED FLAG HOLDER		75	
SEAT CUSHION		75	
FIXED FOOT REST		300	
ALIGNMENT GAUGE		180	

Customer Name : _____

"U" Cage Racing Chair

- 1. Upper Frame Width (UFW): _____
- 2. Lower Frame Width (LFW): _____
- 3. Rear Seat Height: _____
- 4. Kneel Height: _____
- 5. Knee Width: _____
- 6. Knee Depth (18"std.): _____
- 7. Axle Position 5" 6" 7" 8"
Special Request axle Position: _____
- 8. Camber 11 12 13
- 9. Overall Length 68" 70" 72"
 74 76
- 10. 700c wheel size only
- 11. Track Control Mount
 Top Mount Bottom Mount
- 12. Rear wheels Zipp Corima
Standard
- 13. Push Rim Diameter 13 13.5
 14 14.5 15 15.5 16

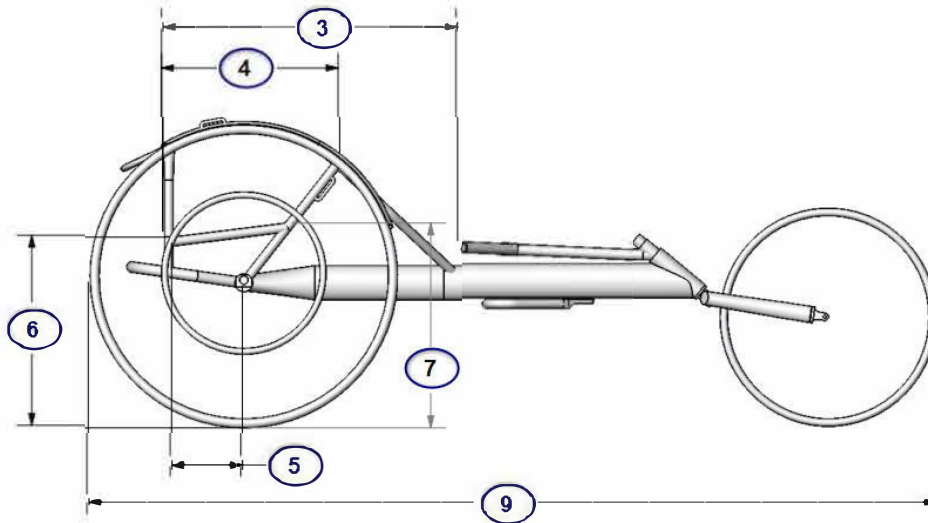
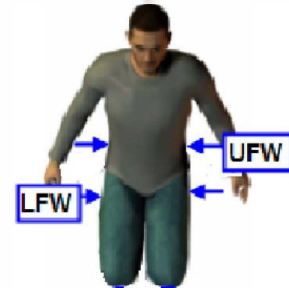
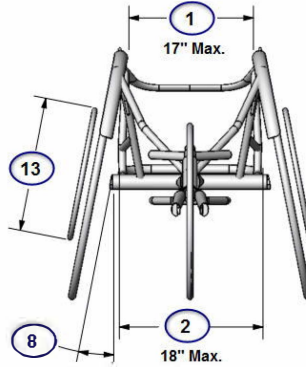


Notes:

Customer Name:

Open "V" Cage

- 1. Upper Frame Width (UFW): _____
- 2. Lower Frame Width (LFW): _____
- 3. "V" Depth 25" 26"
- 4. Cage Depth (15" std.): _____
- 5. Axle Position 5" 6" 7" 8"
Special Request Axle Position: _____
- 6. Rear Seat Height: _____
- 7. Front Seat Height: _____
- 8. Camber 11 12 13
- 9. Overall Length: 68" 70" 72"
 74" 76"
- 10. 700c Wheel Size Only
- 11. Track Control Mount
 Top Mount Bottom Mount
- 12. Rear wheel Zipp Corima
Standard
- 13. Push Rim Diameter 13 13.5
 14 14.5 15 15.5 16



Notes: