



CHRIS PETERSON
Chris@carbonbike-usa.com
 STEPHANE MASSARD
steph@carbonbike-usa.com
 Carbonbike.USA
 6585 HAINES ROAD
 ST PETERSBURG, FL. 33702
 ph (440) 315-8503

CB-USA R1

2019

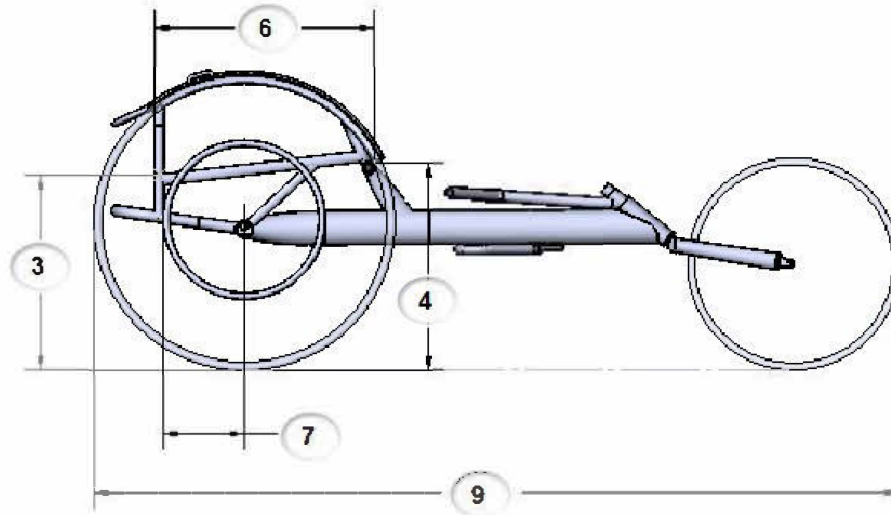
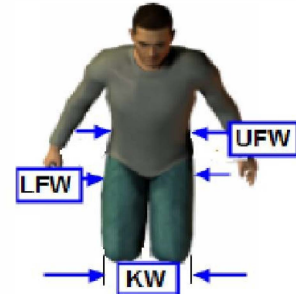
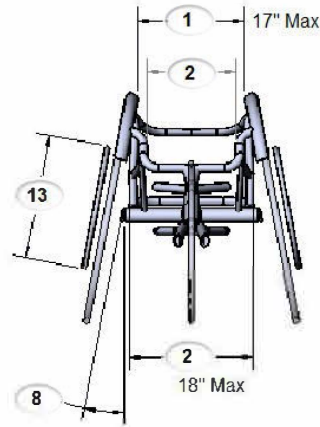
Customer name:
 street:
 City: State: Zip: Country:
 Email address: Phone #:
 Weight: Height: Injury/category: age:

	Quantity	Price	Total
Frame Type withOut Wheels			
Open "V" Cage Racing Chair & Computer Aided Drawing		3,600	
"U" Cage Racing Chair & Computer Aided Drawing		3,600	
Carbon fiber fork		N/C	
Tri Rig brake		300	
3" Cut out axle		350	
Welded insert for click straps (pair)		50	
Extra strap hooks (pair)		50	
Seat Options			
Fabric Sling		n/c	
Aluminum Solid Seat		75	
Aluminum Welded Back (Computer Aided Drawing Necessary)		100	
Frame Color			
No Paint		n/c	
Flat Black		n/c	
Custom frame color		200	
Custom steering / fork color		100	
Steering / Track Control			
Bottom Mount		n/c	
Top Mount		150	
Custom Steering		100	
Aero brake lever in center of steering		75	
Front wheel			
Aluminum Rim, Spoked 20"		100	
Carbonbike.USA Carbon Fiber 20" UPGRADE		500	
Rear Wheels			
700c 28 spoke Aluminum Wheel with hand rims		300	
700c Corima Carbon Fiber 4 spoke with hand rims UPGRADE		2,500	
700c Corima Carbon Fiber Discs with hand rims UPGRADE		2,500	

Customer Name : _____

"U" Cage Racing Chair

1. Upper Frame Width (UFW): _____
2. Lower Frame Width (LFW): _____
3. Rear Seat Height: _____
4. Kneel Height: _____
5. Knee Width: _____
6. Knee Depth (18"std.): _____
7. Axle Position 5" 6" 7" 8"
Special Request axle Position: _____
8. Camber 11 12 13
9. Overall Length 68" 70" 72"
 74 76
10. 700c wheel size only
11. Track Control Mount
 Top Mount Bottom Mount
12. Rear Wheels Zipp Corima
 Standard
13. Push Rim Diameter 13 13.5
 14 14.5 15 15.5 16

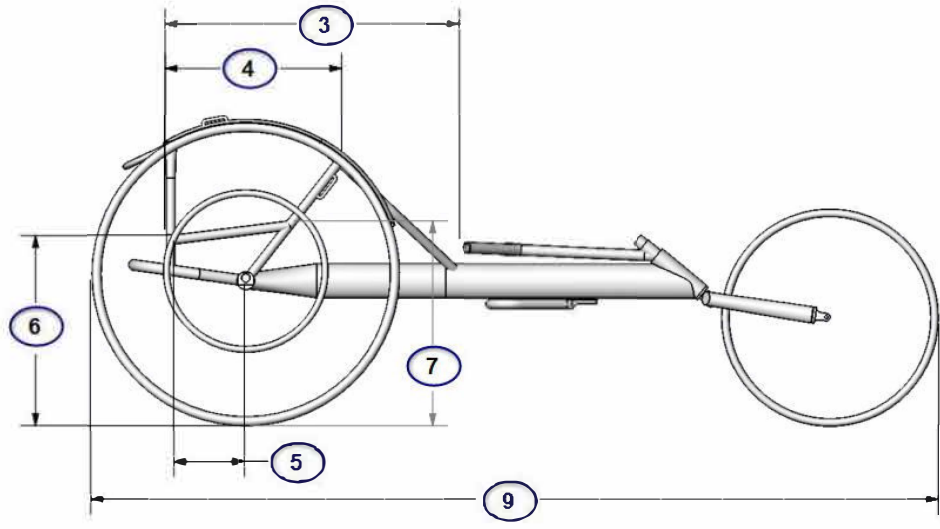
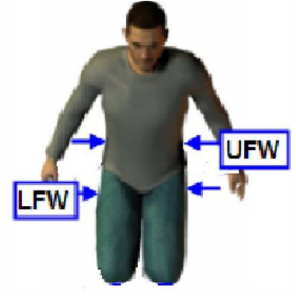
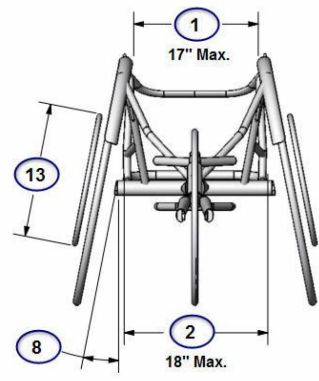


Notes:

Customer Name :

Open "V" Cage

- 1. Upper Frame Width (UFW): _____
- 2. Lower Frame Width (LFW): _____
- 3. "V" Depth 25" 26"
- 4. Cage Depth (15" std.): _____
- 5. Axle Position 5" 6" 7" 8"
Special Request Axle Position: _____
- 6. Rear Seat Height: _____
- 7. Front Seat Height: _____
- 8. Camber 11 12 13
- 9. Overall Length: 68" 70" 72"
 74" 76"
- 10. 700c Wheel Size Only
- 11. Track Control Mount
 Top Mount Bottom Mount
- 12. Rear Wheel Zipp Corima
 Standard
- 13. Push Rim Diameter 13 13.5
 14 14.5 15 15.5 16



Notes: