



CHRIS PETERSON
Chris@carbonbike-usa.com
 STEPHANE MASSARD
steph@carbonbike-usa.com
 Carbonbike.USA
 6585 HAINES ROAD
 ST PETERSBURG, FL. 33702
 ph (440) 315-8503

CB-USA R1

2019

Customer name:

street:

City: State: Zip: Country:

Email address: Phone #:

Weight: Height: Injury/category: Age:

	Quantity	Price	Total
--	----------	-------	-------

Frame Type

Open "V" Cage Racing Chair W/Wheels (computer aided drawing included)		3,950	
"U" Cage Racing Chair W/Wheels (computer aided drawing included)		3,950	
Cut out axle		350	

Seat Options

Extra strap hooks (pair)		60	
Aluminum Solid Seat		75	
Aluminum Welded Back (Computer Aided Drawing Necessary) Threaded		150	
inserts for ratchet straps (pair)		60	

Frame Color

Standard no paint or Flat Black		n/c	
Custom color		150	

Steering / Track Control

Bottom Mount		n/c	
Top Mount		150	

Front Wheel

Aluminum Rim, Spoked 20"		n/c	
Carbonbike USA Carbon Fiber 20" upgrade		600	

Rear Wheels

700c 28 spoke Aluminum Wheel		n/c	
700c Corima Carbon Fiber 4 Spoke upgrade		2,500	
700c Corima Carbon Fiber Discs upgrade		2,500	
Omit front wheel		-100	
Omit rear wheels		-295	

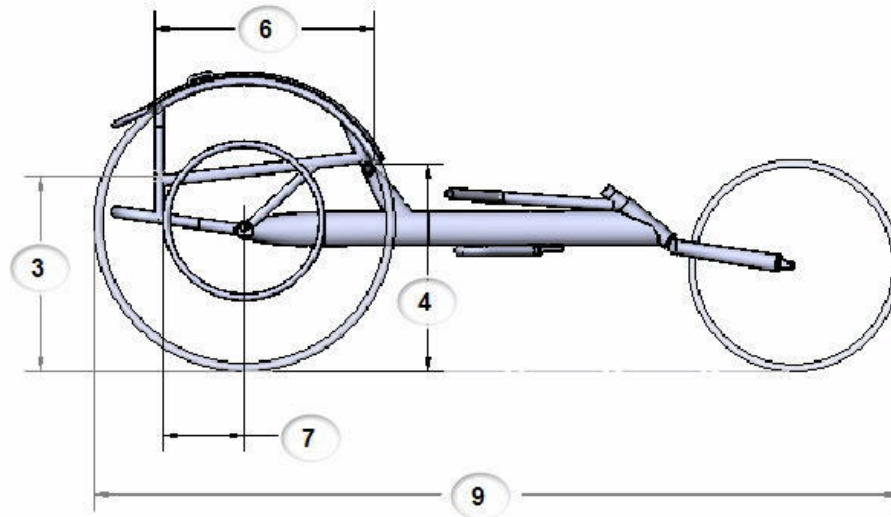
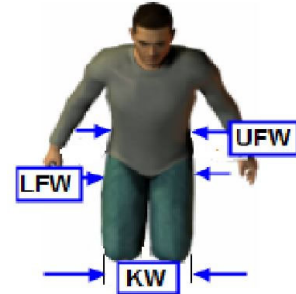
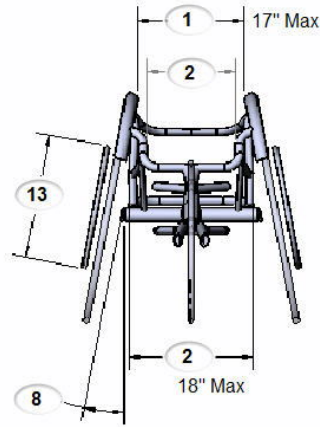
Options

Fixed foot rest		250	
Seat Cushion		75	
Welded in place holder with Safety Flag		75	
Wheel Bag		200	
Carbonbike Teeshirt		20	
CARBONBIKE - USA JERSEY		75	
Alignment gauge		125	

Customer Name : _____

"U" Cage Racing Chair

1. Upper Frame Width (UFW): _____.
2. Lower Frame Width (LFW): _____.
3. Rear Seat Height: _____.
4. Kneel Height: _____.
5. Knee Width: _____.
6. Knee Depth (18"std.): _____.
7. Axle Position 5" 6" 7" 8"
Special Request axle Position: _____.
8. Camber 11 12 13
9. Overall Length 68" 70" 72"
 74" 76"
10. 700c wheel size only
11. Track Control Mount
 Top Mount Bottom Mount
12. Rear Wheels Zipp Corima
 Standard
13. Push Rim Diameter 13 13.5
 14 14.5 15 15.5 16

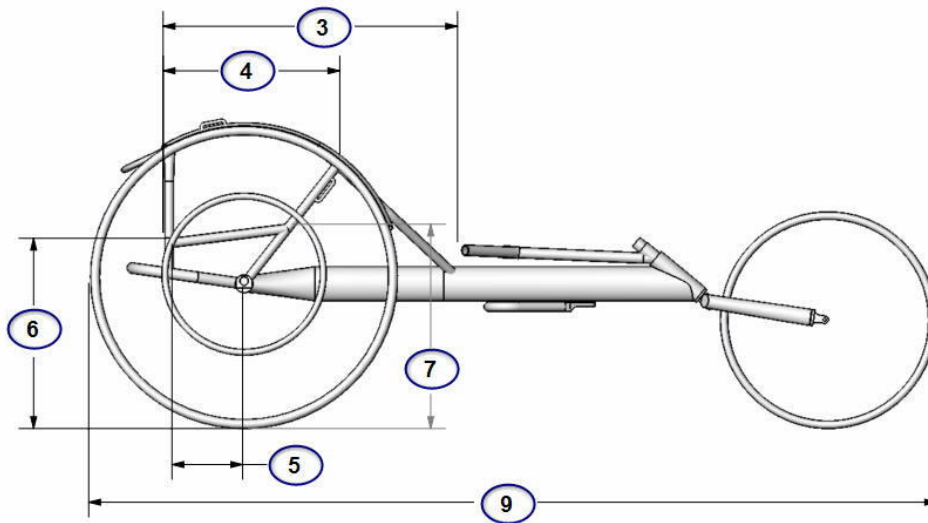
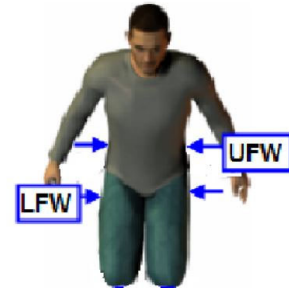
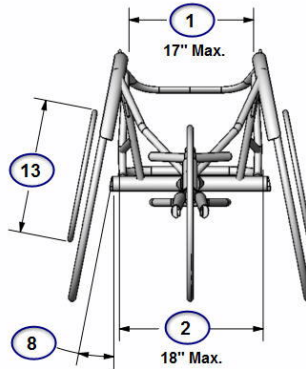


Notes:

Customer Name :

Open "V" Cage

1. Upper Frame Width (UFW): _____.
2. Lower Frame Width (LFW): _____.
3. "V" Depth 25" 26"
4. Cage Depth (15" std.): _____.
5. Axle Position 5" 6" 7" 8"
Special Request Axle Position: _____.
6. Rear Seat Height: _____.
7. Front Seat Height: _____.
8. Camber 11 12 13
9. Overall Length: 68" 70" 72"
 74" 76"
10. 700c Wheel Size Only
11. Track Control Mount
 Top Mount Bottom Mount
12. Rear Wheel Zipp Corima
 Standard
13. Push Rim Diameter 13 13.5
 14 14.5 15 15.5 16



Notes: