



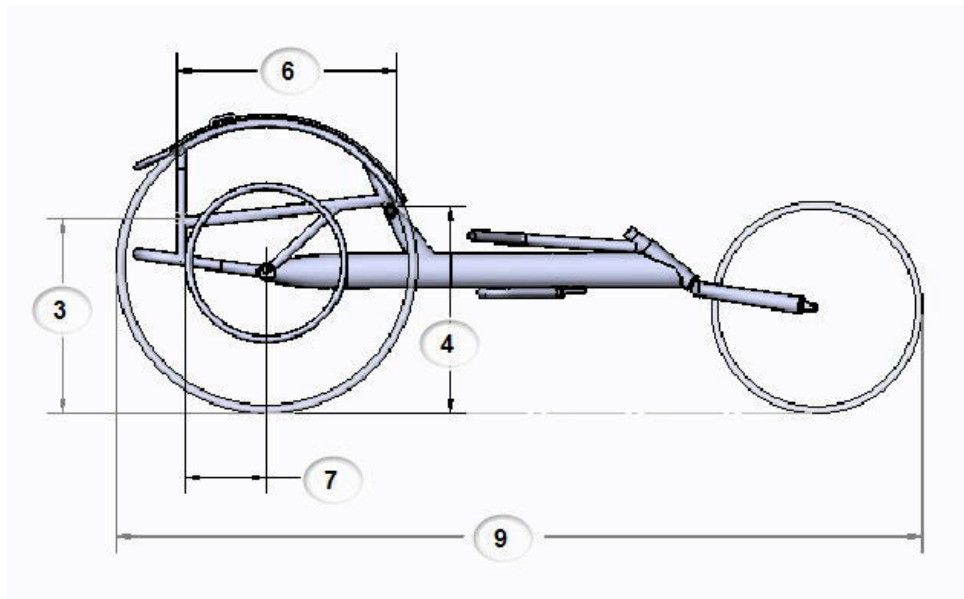
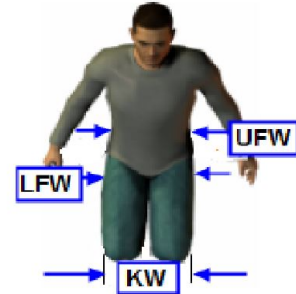
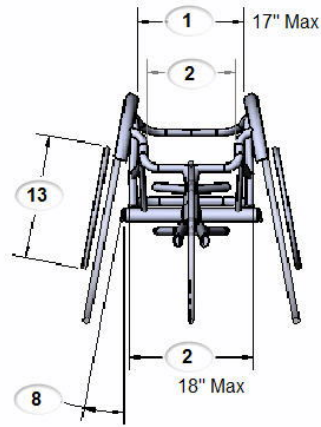
CHRIS PETERSON
Chris@carbonbike-usa.com
 STEPHANE MASSARD
steph@carbonbike-usa.com
 Carbonbike.USA
 6585 HAINES ROAD
 ST PETERSBURG, FL. 33702
 ph (440) 315-8503

CB-USA R1			
2018			
Customer name:			
street:			
City:	State:	Zip:	Country:
Email address:		Phone #	
Weight:	Height :	Injury/category:	age
			Quantity Price Total
Frame Type			
Open "V" Cage Racing Chair W/Wheels		3,800	
"U" Cage Racing Chair W/Wheels		3,800	
Computer Aided Drawing		n/c	
Seat Options			
Fabric Sling		n/c	
Aluminum Solid Seat		75	
Aluminum Welded Back (Computer Aided Drawing Necessary)		100	
Frame Color			
Standard no paint or Flat Black		n/c	
Custom color		150	
Steering / Track Control			
Bottom Mount		n/c	
Top Mount		150	
Front Wheel			
Aluminum Rim, Spoked 20"		n/c	
Carbonbike.USA Carbon Fiber 20"		600	
Rear Wheels			
700c 28 spoke Aluminum Wheel		n/c	
700c Corima Carbon Fiber 4 Spoke		2,500	
700c Corima Carbon Fiber Discs		2,500	
Omit wheels		-395	
Options			
Fixed foot rest		250	
Seat Cushion		75	
Welded in place holder with Safety Flag		75	
Wheel Bag		200	
Carbonbike Teeshirt		20	
CARBONBIKE - USA JERSEY		75	
Shipping		TBD	
Total			

Customer Name :

"U" Cage Racing Chair

- 1. Upper Frame Width (UFW): _____.
- 2. Lower Frame Width (LFW): _____.
- 3. Rear Seat Height: _____.
- 4. Knee Height: _____.
- 5. Knee Width: _____.
- 6. Knee Depth (18"std.): _____.
- 7. Axle Position 5" 6 7 8
Special Request axle Position: _____.
- 8. Camber 11 12 13
- 9. Overall Length 68" 70 72
74 76
- 10. 700c wheel size only
- 11. Track Control Mount
Top Mount Bottom Mount
- 12. Rear Wheels Zipp Corima
Standard
- 13. Push Rim Diameter 13 13.5
14 14.5 15 15.5 16

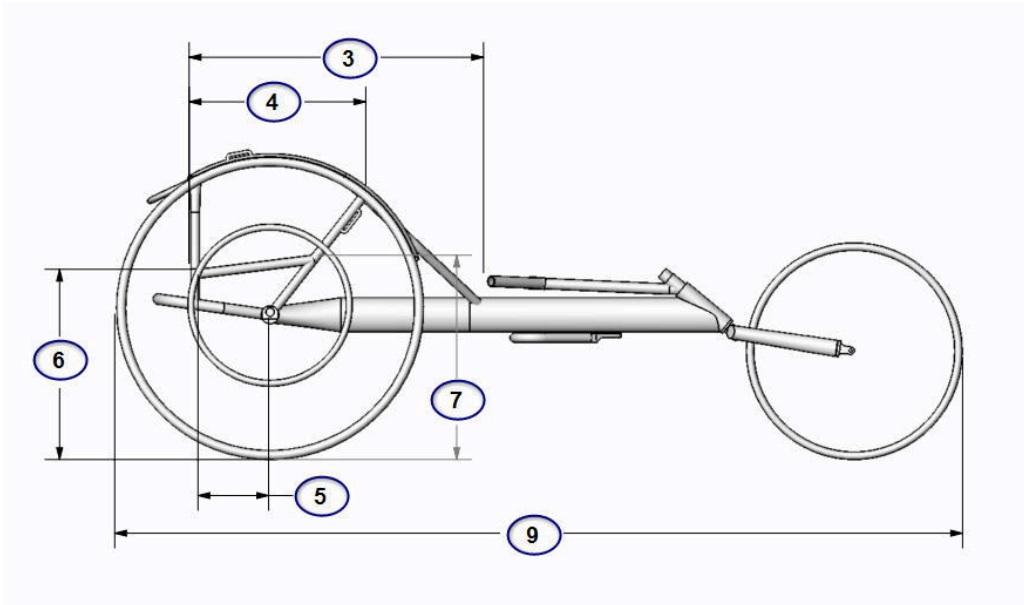
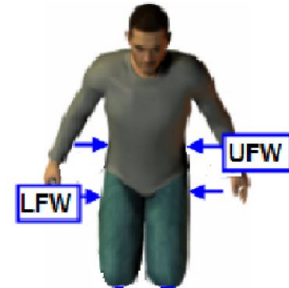
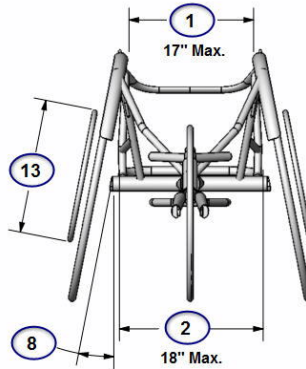


Notes:

Customer Name :

Open "V" Cage

1. Upper Frame Width (UFW): _____.
2. Lower Frame Width (LFW): _____.
3. "V" Depth 25" 26"
4. Cage Depth (15" std.): _____.
5. Axle Position 5" 6 7 8
Special Request Axle Position: _____.
6. Rear Seat Height: _____.
7. Front Seat Height: _____.
8. Camber 11 12 13
9. Overall Length: 68" 70 72
74 76
10. 700c Wheel Size Only
11. Track Control Mount
Top Mount Bottom Mount
12. Rear Wheel Zipp Corima
Standard
13. Push Rim Diameter 13 13.5
14 14.5 15 15.5 16



Notes: