



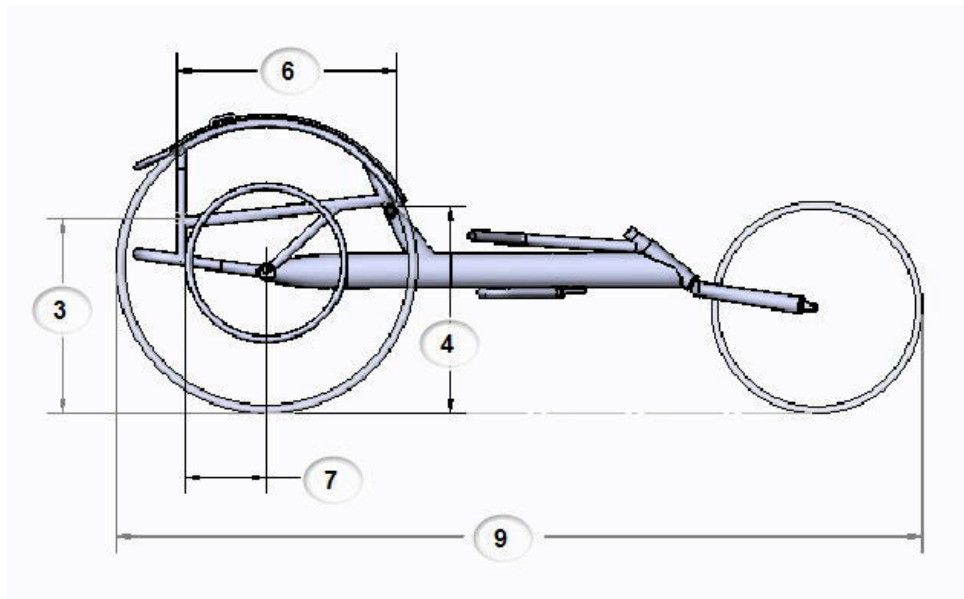
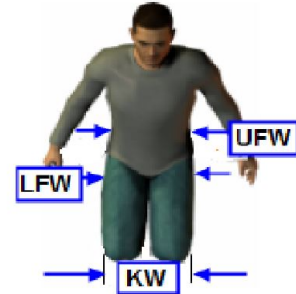
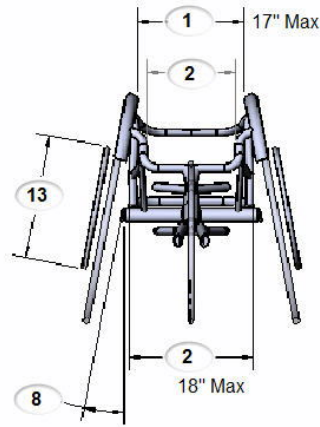
CHRIS PETERSON  
[Chris@carbonbike-usa.com](mailto:Chris@carbonbike-usa.com)  
 STEPHANE MASSARD  
[steph@carbonbike-usa.com](mailto:steph@carbonbike-usa.com)  
 Carbonbike.USA  
 6585 HAINES ROAD  
 ST PETERSBURG, FL. 33702  
 ph (440) 315-8503

CB-USA R1 2018			
<b>Customer name:</b>			
<b>street:</b>			
<b>City:</b>	<b>State:</b>	<b>Zip:</b>	<b>Country:</b>
<b>Email address:</b>		<b>Phone #</b>	
<b>Weight:</b>	<b>Height :</b>	<b>Injury/category:</b>	<b>age</b>
			<b>Quantity    Price    Total</b>
<b>Frame Type</b>			
Open "V" Cage Racing Chair W/Wheels			3,800
"U" Cage Racing Chair W/Wheels			3,800
Computer Aided Drawing			n/c
<b>Seat Options</b>			
Fabric Sling			n/c
Aluminum Solid Seat			75
Aluminum Welded Back (Computer Aided Drawing Necessary)			100
<b>Frame Color</b>			
Standard no paint or Flat Black			n/c
Custom color			150
<b>Steering / Track Control</b>			
Bottom Mount			n/c
Top Mount			150
<b>Front Wheel</b>			
Aluminum Rim, Spoked 20"			n/c
Carbonbike.USA Carbon Fiber 20"			600
<b>Rear Wheels</b>			
700c 28 spoke Aluminum Wheel			n/c
700c Corima Carbon Fiber 4 Spoke			2,500
700c Corima Carbon Fiber Discs			2,500
700c Zipp Carbon Fiber Disc			2,500
<b>Omit wheels</b>			<b>-395</b>
<b>Options</b>			
Fixed foot rest			250
Seat Cushion			75
Welded in place holder with Safety Flag			75
Wheel Bag			200
Carbonbike Teeshirt			20
CARBONBIKE - USA JERSEY			75
<b>Shipping</b>			<b>TBD</b>
<b>Total</b>			

**Customer Name :**

**"U" Cage Racing Chair**

- 1. Upper Frame Width (UFW): \_\_\_\_\_.
- 2. Lower Frame Width (LFW): \_\_\_\_\_.
- 3. Rear Seat Height: \_\_\_\_\_.
- 4. Kneel Height: \_\_\_\_\_.
- 5. Knee Width: \_\_\_\_\_.
- 6. Knee Depth (18"std.): \_\_\_\_\_.
- 7. Axle Position 5" 6 7 8  
Special Request axle Position: \_\_\_\_\_.
- 8. Camber 11 12 13
- 9. Overall Length 68" 70 72  
74 76
- 10. 700c wheel size only
- 11. Track Control Mount  
Top Mount Bottom Mount
- 12. Rear Wheels Zipp Corima  
Standard
- 13. Push Rim Diameter 13 13.5  
14 14.5 15 15.5 16

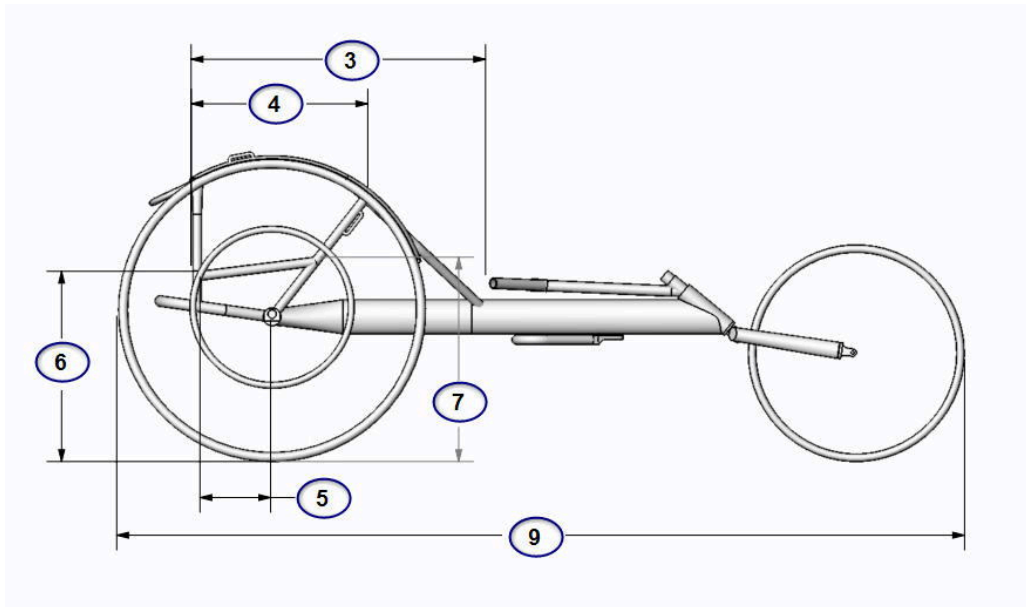
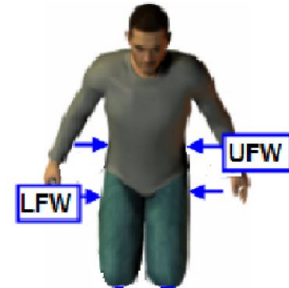
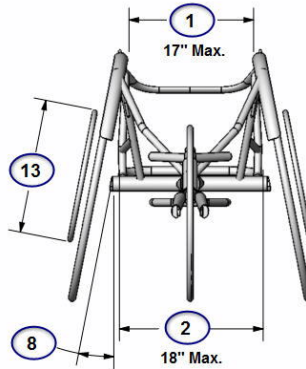


Notes:

Customer Name :

Open "V" Cage

1. Upper Frame Width (UFW): \_\_\_\_\_.
2. Lower Frame Width (LFW): \_\_\_\_\_.
3. "V" Depth 25" 26"
4. Cage Depth (15" std.): \_\_\_\_\_.
5. Axle Position 5" 6 7 8  
Special Request Axle Position: \_\_\_\_\_.
6. Rear Seat Height: \_\_\_\_\_.
7. Front Seat Height: \_\_\_\_\_.
8. Camber 11 12 13
9. Overall Length: 68" 70 72  
74 76
10. 700c Wheel Size Only
11. Track Control Mount  
Top Mount Bottom Mount
12. Rear Wheel Zipp Corima  
Standard
13. Push Rim Diameter 13 13.5  
14 14.5 15 15.5 16



Notes: