



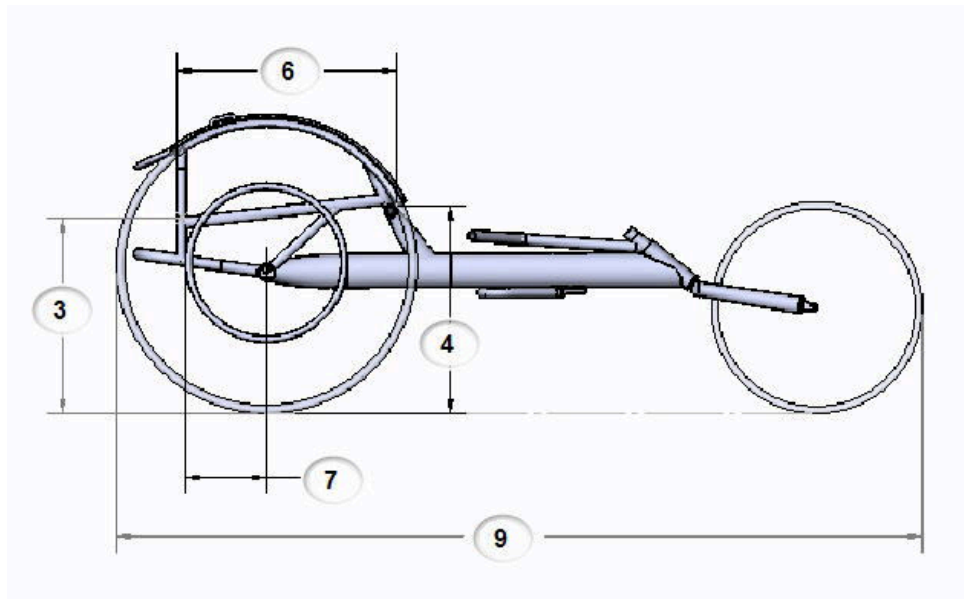
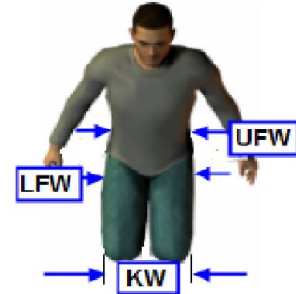
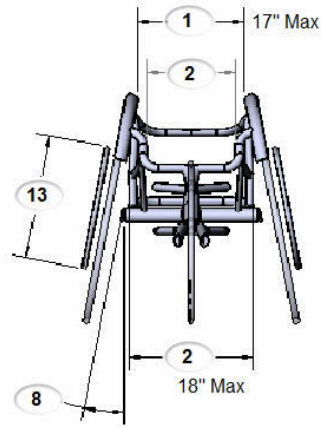
CHRIS PETERSON
Chris@carbonbike-usa.com
 STEPHANE MASSARD
steph@carbonbike-usa.com
 Carbonbike.USA
 6585 HAINES ROAD
 ST PETERSBURG, FL. 33702
 ph (440) 315-8503

CB-USA R1			
2018			
Customer name:			
street:			
City:	State:	Zip:	Country:
Email address:		Phone #	
Weight:	Height :	Injury/category:	age
			Quantity Price Total
Frame Type			
Open "V" Cage Racing Chair W/Wheels		3,800	
"U" Cage Racing Chair W/Wheels		3,800	
Computer Aided Drawing		n/c	
Seat Options			
Fabric Sling		n/c	
Aluminum Solid Seat		75	
Aluminum Welded Back (Computer Aided Drawing Necessary)		100	
Frame Color			
Standard no paint or Flat Black		n/c	
Custom color		150	
Steering / Track Control			
Bottom Mount		n/c	
Top Mount		150	
Front Wheel			
Aluminum Rim, Spoked 20"		n/c	
Carbonbike.USA Carbon Fiber 20"		600	
Rear Wheels			
700c 28 spoke Aluminum Wheel		n/c	
700c Corima Carbon Fiber 4 Spoke		2,500	
700c Corima Carbon Fiber Discs		2,500	
700c Zipp Carbon Fiber Disc		2,500	
Omit wheels		-395	
Options			
Fixed foot rest		250	
Seat Cushion		75	
Safety Flag		200	
Wheel Bag		20	
Carbonbike Teeshirt		20	
CARBONBIKE - USA JERSEY		75	
Shipping		TBD	
Total			

Customer Name :

"U" Cage Racing Chair

1. Upper Frame Width (UFW): _____.
2. Lower Frame Width (LFW): _____.
3. Rear Seat Height: _____.
4. Knee Height: _____.
5. Knee Width: _____.
6. Knee Depth (18"std.): _____.
7. Axle Position 5" 6 7 8
Special Request axle Position: _____.
8. Camber 11 12 13
9. Overall Length 68" 70 72
74 76
10. 700c wheel size only
11. Track Control Mount
Top Mount Bottom Mount
12. Rear Wheels Zipp Corima
Standard
13. Push Rim Diameter 13 13.5
14 14.5 15 15.5 16

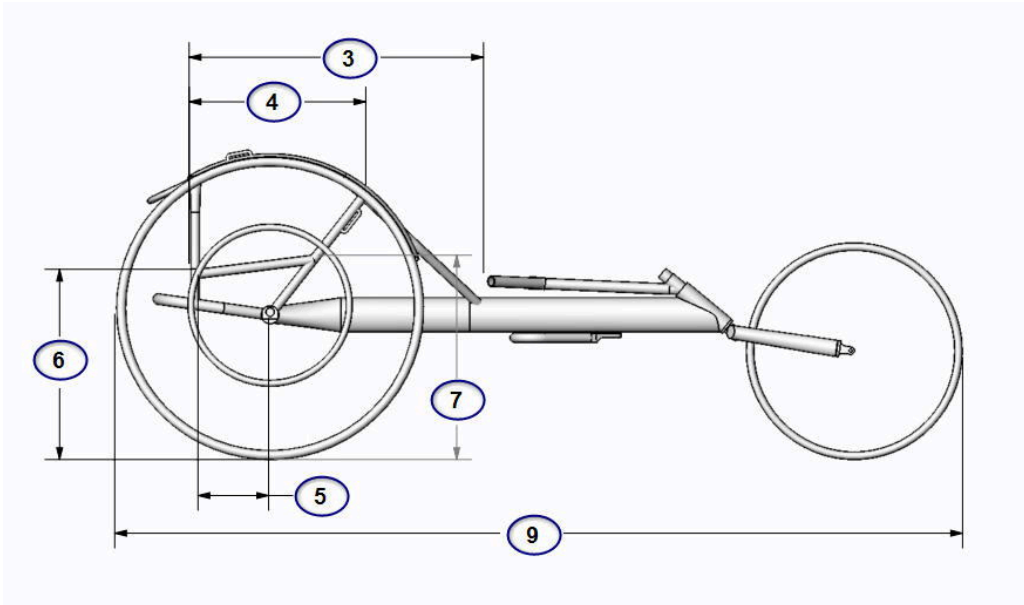
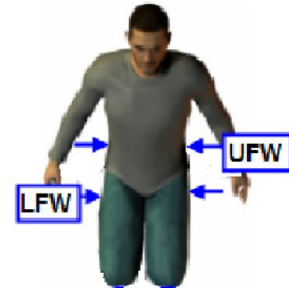
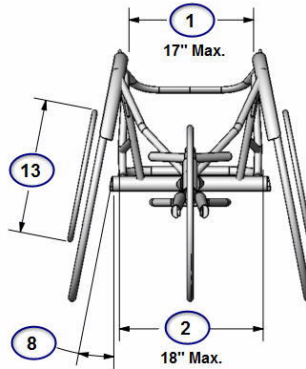


Notes:

Customer Name :

Open "V" Cage

1. Upper Frame Width (UFW): _____.
2. Lower Frame Width (LFW): _____.
3. "V" Depth 25" 26"
4. Cage Depth (15" std.): _____.
5. Axle Position 5" 6 7 8
Special Request Axle Position: _____.
6. Rear Seat Height: _____.
7. Front Seat Height: _____.
8. Camber 11 12 13
9. Overall Length: 68" 70 72
74 76
10. 700c Wheel Size Only
11. Track Control Mount
Top Mount Bottom Mount
12. Rear Wheel Zipp Corima
Standard
13. Push Rim Diameter 13 13.5
14 14.5 15 15.5 16



Notes: