

North America Distributor: CARBONBIKE-USA
 info@carbonbike-usa.com
 ph (440)315-8503
 Chris Peterson
 chris@carbonbike-usa.com
 Stephan Massard
 steph@carbonbike-usa.com



Carbonbike-USA	6585 Haines Road North, St.Petersburg, FL 33702
Dealer:	
Date:	
Purchase Order N°	

CUSTOMER DETAILS:

NAME:	TYPE OF DISABILITY:
ADDRESS:	CITY:
ZIP CODE:	COUNTRY:
PHONE:	E-MAIL:
SHIP TO ADDRESS:	



Name:

DATE:

WHEELCHAIR DETAILS

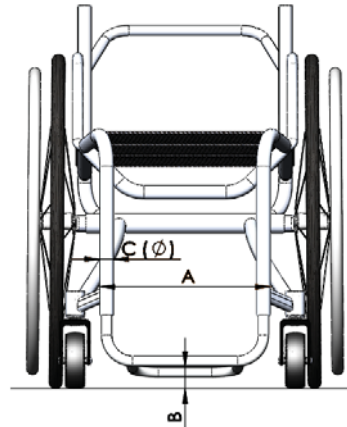
BRAND:

MODEL:

A FOOTREST OUTSIDE WIDTH (inches)

B FOOTREST HEIGHT (inches)

C MAIN TUBE FRAME DIAMETER (inches)



STREET JET CONFIGURATIONS

1 STREET JET ULTRALIGHT MAGNESIUM MOTOR

\$4300

- * 250 W MOTOR POWER * CARBON FIBER FENDER * DISPLAY
- * 36 V; 14,5 Ah BATTERY * SHIMANO DISC BRAKE * STAND

* REVERSE OPT (+\$250)

2 STREET JET POWER 12

\$4800

- * 500 W MOTOR POWER * REVERSE * DISPLAY
- * 48 V; 11,4 Ah BATTERY * SHIMANO DISC BRAKE * STAND

* CARBON FIBER FENDER

3 STREET JET POWER 16

\$5000

- * 500 W MOTOR POWER * REVERSE * DISPLAY
- * 48 V; 11,4 Ah BATTERY * SHIMANO DISC BRAKE * STAND

* CARBON FIBER FENDER



1



2



3

Name:

Date:



STREET

CUSTOM OPTIONS

F1 FRONT & REAR LIGHT	\$100	<input type="checkbox"/>
F2 EXTRA BATTERY 36 V - 14.5 Ah	\$595	<input type="checkbox"/>
F3 EXTRA BATTERY 48 V - 11.4 Ah	\$700	<input type="checkbox"/>
F4 QUAD KIT	\$475	<input type="checkbox"/>

CHOOSE FRAME COLOR

G1 RED	<input type="radio"/>
G2 MATT BLACK	<input type="radio"/>
G3 WHITE	<input type="radio"/>

CHOOSE CABLE COLOR

BLACK	RED
<input type="radio"/>	<input type="radio"/>

COMMENTS:

Large empty box for customer comments.

